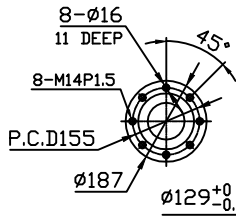
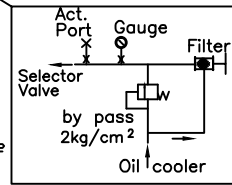
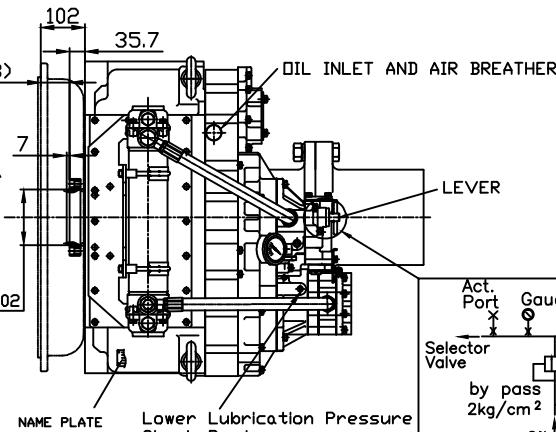


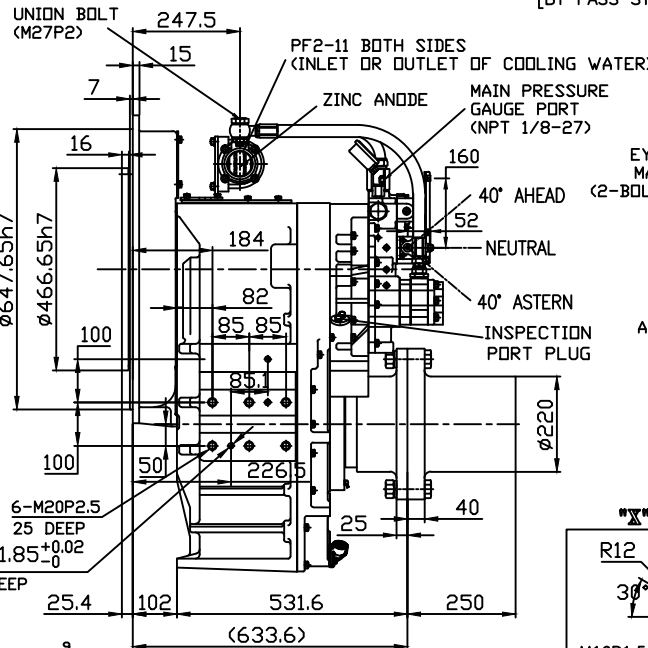
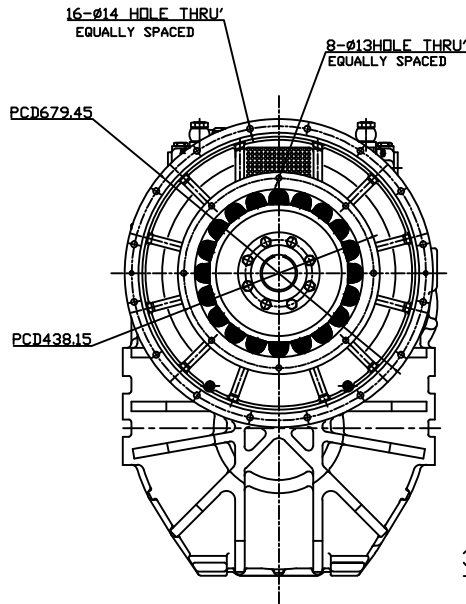
OUTPUT SHAFT COUPLING & PROPELLER COUPLING DIMENSION



INPUT COUPLING DIMENSION



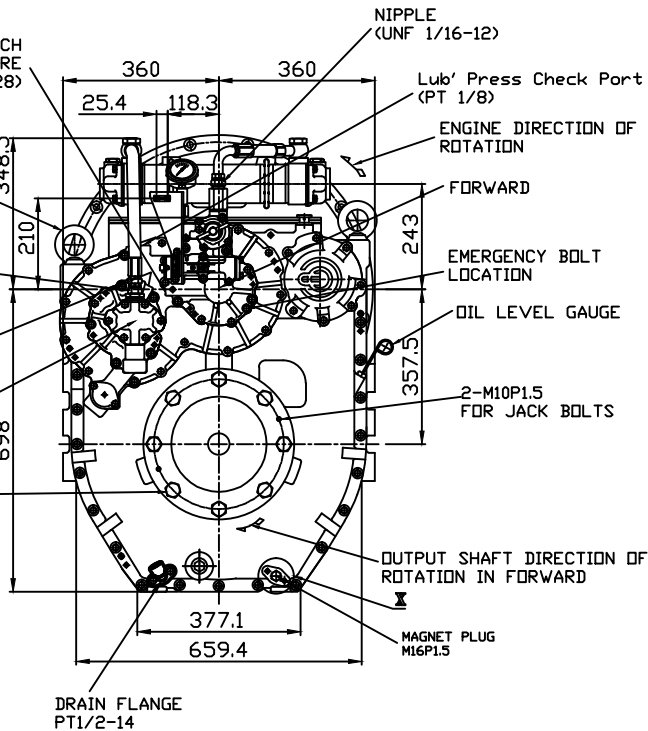
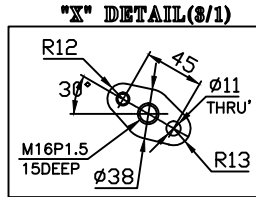
DMT460HL MARINE TRANSMISSION SPECIFICATION	
GEAR RATIO	3.02, 3.28, 3.56, 4.07, 4.48, 4.95
TOTAL WEIGHT	APPROX. 968 Kg(DRY)
OIL CAPACITY	APPROX. 18 L
OIL VISCOSITY	SAE # 30
OIL PRESSURE	1.96 ~ 2.54 MPa CLUTCH OIL
DIRECTION OF ROTATION	INPUT C.C.W VIEWED FROM THE STERN
	OUTPUT C.W VIEWED FROM THE STERN
OIL CHANGE INTERVAL	THE FIRST 100HOURS OF INITIAL OPERATION AND EVERY 1000HOURS THEREAFTER
SHIFTING LIMIT	UNDER 50% OF THE RATED ENGINE SPEED
OIL COOLER	WATER FLOW 90 ~ 120 L/min
	TEMPERATURE OF COOLING WATER MAX 32°C
OPERATING TORQUE OF SHIFTING LEVER	UNDER 2.94Nm



FORWARD CLUTCH ACTUATING PRESSURE (PT 1/8-28)

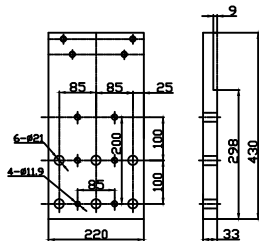
EYEBOLT FOR LIFTING MARINE TRANSMISSION (2-BOLTS ONE EACH SIDE)

REVERSE CLUTCH ACTUATING PRESSURE (PT 1/8-28)



REMARK

- HOUSING : SAE# 0
- DRIVING RING : SAE 14"
- COUPLING TYPE : RUBBER



BRACKET DIMENSION

TOLERANCE ON				PART NO.		PART NAME		QTY		MATERIAL		SIZE		REMARKS	
분수	소수	각도	각도	DMT460HL		TYPE		DMT460HL		ORIGINAL DWG. NO.					
±	±	±	±	2014.03.20		SCALE		N/S		MARINE TRANSMISSION		개방(REV.)		000	
±	±	±	±	JK.Kim		KS.Han		KC.Yoon		DWG. NO.		46000GHA~F-014RC			
±	±	±	±	APPROVED BY		CHECKED BY		DRAWN		DESIGNED		크기		A 8	
±	±	±	±	1		4		16		63		63		250	
±	±	±	±	250		1000		± 0.3		± 0.1		± 0.05		± 0.07	
±	±	±	±	± 0.5		± 0.2		± 0.07		± 0.3		± 0.1		± 0.2	
±	±	±	±	± 1.2		± 0.5		± 0.2		± 2.0		± 0.8		± 0.3	
D-I INDUSTRIAL				SIZE		A 8		코드 번호		CODE ID. NO.					